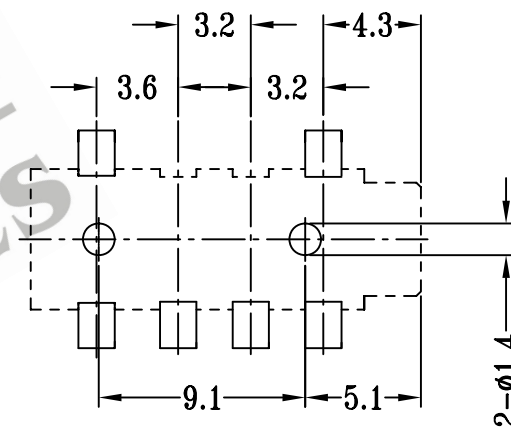
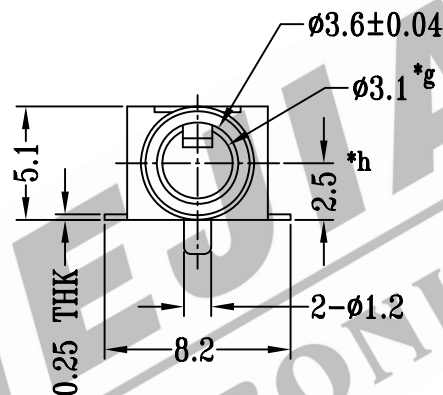
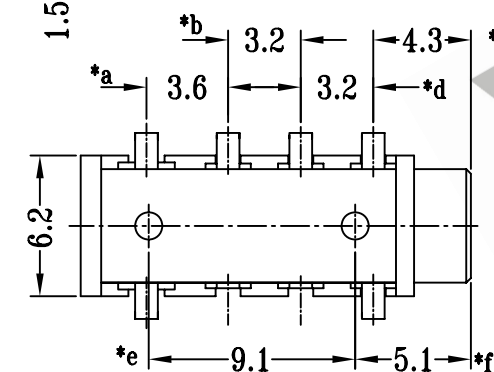
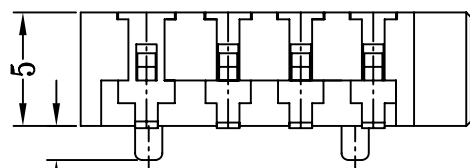
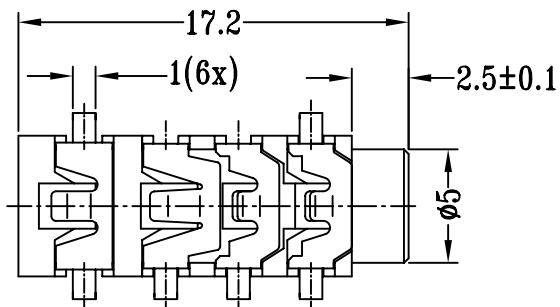
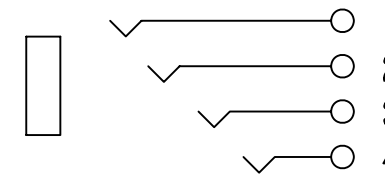


CAD FILE:



P.C.B LAYOUT



SCHEMATIC

注:带"*"表示关键尺寸(8个)

8					TOLERANCE UNLESS SPECIFIED	SHENZHEN XIEJIA ELECTRONICS CO.,LTD.				
7										
6					WITHIN: 1.5±0.1mm OVER : 1.5±0.2mm	ISSUE	DATE	DESCRIPTIONS		APPD.
5	TERMINAL D	PBS STRIP	1	Ag PLATED OVER Ni PLATED						
4	TERMINAL C	PBS STRIP	1	Ag PLATED OVER Ni PLATED	TITLE : PHONE JACK		UNIT : mm	DRWG NO.: XJ-DR-ST012-00		
3	TERMINAL B	PBS STRIP	1	Ag PLATED OVER Ni PLATED						
2	TERMINAL A	PBS STRIP	1	Ag PLATED OVER Ni PLATED	MODEL: ST-012		SCALE: 3 : 1	DWN.	ZHOUYU	2002-5-13
1	CASE	NYLON+F.G+94V0	1	BLACK				CHK'D	FANGYING	2002-5-13
NO.	PART NAME	MATERIAL	Q'TY	FINISHING	ALL MATERIALS MUST BE COMPLIANT TO ROHS			APPD.	KANGXINAN	2002-5-13